



Weasler®

GEARBOXES

• BIN SWEEP WHEEL DRIVE TREAD REPLACEMENT INSTRUCTIONS •



WARNING - PLEASE READ BEFORE PROCEEDING



- *Be sure to read these Replacement Instructions in full, as well as any other applicable instructions and manuals prior to replacing the wheel drive tread and comply with all warnings and safety messages. Refer to sweep manufacturer's manuals for proper operation of sweep system. Failure to do so could result in death, serious injury and/or property damage.*
- *These instructions are only intended for the limited purpose of providing directions for replacing the wheel drive tread on the units specifically identified. These instructions are not in any way intended to provide directions for operating, maintaining or trouble shooting any other product, component or system. Please refer to the sweep manufacturer's manuals for proper operation, maintenance and/or trouble shooting instructions and warnings.*
- *Always shut off or disconnect all power and properly lock out the equipment before replacing treads. Prior to starting this procedure follow sweep manufacturer's procedure for properly shutting down and locking out equipment.*
- *Contact sweep manufacturer if you are unclear of the above information or procedures before starting this procedure.*

TREAD REMOVAL

NOTICE:

- **DO NOT REMOVE BIN SWEEP WHEEL DRIVE FROM SWEEP OR BLOCK THE SWEEP OFF THE GROUND:**

The 4-piece modular tread design allows you to replace the treads without removing the wheel drive from the sweep assembly. If additional repairs are necessary that require the wheel drive to be removed from the sweep, refer to the sweep manufacturer's manual on how to properly remove and re-install the wheel drive. This repair does not require you to block the sweep off the ground.

UNCONTROLLED DOCUMENT 56-15169

Weasler Engineering, Inc.
P.O. Box 558, West Bend, WI 53095 USA
Tel: +1-262.338.2161, Fax: +1-262.338.3709
E-mail: oemsales@weasler.com
web site: www.weasler.com

MashAgro LLC
official distributor in Russia and Belarus
Tel: +375 (29)332 32 30, 677 52 96, +7 925 494 01 44
E-mail: sales@mashagro.by
web site: www.mashagro.by



Weasler®

GEARBOXES

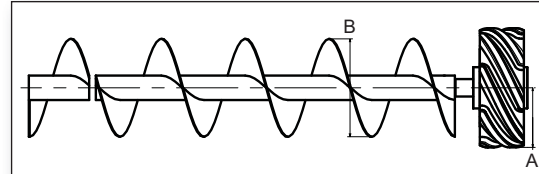
• BIN SWEEP WHEEL DRIVE TREAD REPLACEMENT INSTRUCTIONS •

WARNING

1. Be sure to read these Replacement Instructions in full, as well as any other applicable instructions and manuals prior to replacing the wheel drive tread and comply with all warnings and safety messages. Refer to sweep manufacturer's manuals for proper operation of sweep system. Failure to do so could result in death, serious injury and/or property damage.

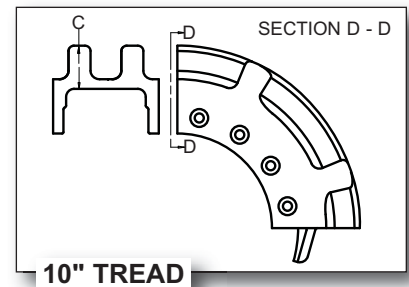
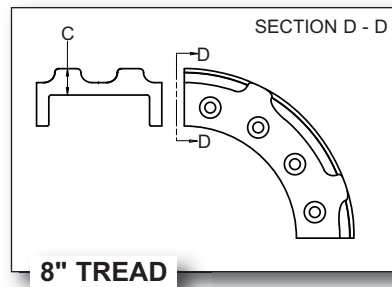
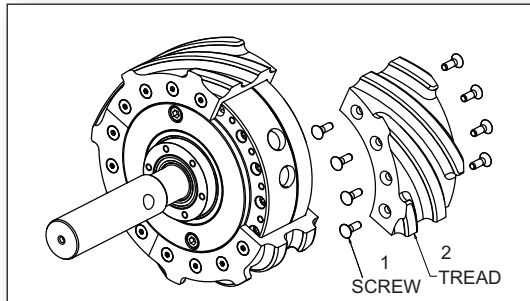
PARTS / TOOLS REQUIRED

- (1) 5/32" Allen wrench or socket
- (1) Drive Wheel Disc Kit
- (NOTICE: Kit contains 4 treads. Replace all 4 treads if damage occurs to the treads.)



2. Verify the wheel size used on your sweep to ensure you have the proper repair kit prior to starting this repair. Refer to the sweep manufacturer's manuals for identification of auger and/or wheel drive wheel size. For additional verification of auger and wheel drive size, please refer to the chart below:

KIT SIZE	KIT NUMBER	SCREWS (ITEM 1)		TREAD (ITEM 2)		AUGER HEIGHT	AUGER DIAMETER	TREAD THICKNESS
		PART NO.	QTY.	PART NO.	QTY.	A	B	C
8"	19-16643	11-20506	32	21-16018	4	~4 1/4" - 4 1/2"	~7 1/4" - 7 3/4"	~1/2" - 5/8"
10"	19-16644	11-20506	32	21-16020	4	~5 1/4" - 5 1/2"	~9 1/4" - 9 3/4"	~1 3/4" - 1 7/8"



3. Position the wheel drive so the tread is located on the front side of the sweep and all eight (8) screws are visible and accessible.
4. Remove the (8) 1/4-20 flat head screws (Item 1) using the 5/32" Allen wrench.
5. Remove tread section (Item 2) from the gearbox.
6. Clean all debris from wheel and make sure all the bolt holes are free of debris.
7. Install new tread section (Item 2).

NOTICE: 8" and 10" TREAD CAN ONLY BE INSTALLED IN ONE DIRECTION

- The drive lugs on the underside of the tread must align with the mating holes in the gearbox housing.
- Make sure the drive lug holes on the gearbox are free from debris.
- Verify the orientation is correct and the tread is seated properly before proceeding.

8. Install (8) 1/4-20 flat head screws (Item 1) provided in the kit. Tighten screws until they are flush with the outside wall of the tread.

NOTICE

- **DO NOT OVERTIGHTEN** - overtightening may cause damage to the screw holes in the tread and cause additional property damage.
- These screws come with a Loctite patch applied to them to help prevent them from loosening during operation. Inspect the screws prior to installation to verify the patch is present and undamaged.
- **NEVER USE DAMAGED SCREWS OR RE-USE THE SCREWS THAT WERE REMOVED WITH THE WORN TREADS.**

9. Repeat steps for remaining tread sections.
10. Start sweep system.

WARNING - Refer to sweep manufacturer's manual on how to properly start-up the bin sweep system. Failure to do so could result in death, serious injury and/or property damage.

11. Visually check screws periodically to verify they have not loosened or fallen out.

